

# COMPACT

REGIUS Σ II

## Konica Minolta's Ultra-Compact CR

The REGIUS Σ II is Konica Minolta's smallest and lightest CR. The desktop CR has a footprint of only 0.31m<sup>2</sup> and weighs a mere 28kg.

0.31m<sup>2</sup>  
& 28kg



## Environmentally friendly

Energy consumption has been reduced to 100VA- about the same as a household light bulb. That's one tenth the power of the smallest film processor.

## Powerful

The powerful REGIUS Σ II achieves high throughput of 60plates/hour (maximum). It provides smooth and stress-free workflow.

# HIGH QUALITY

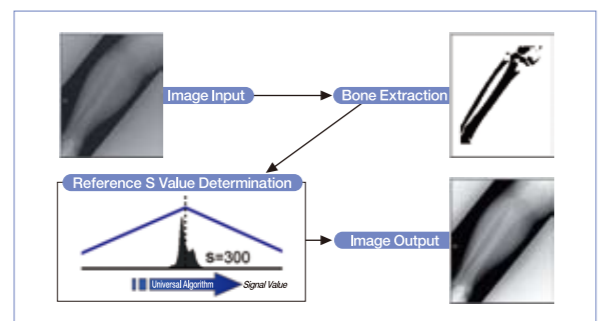
## High Resolution

The REGIUS Σ II supports pixel sizes of 87.5μm and 175μm for all cassette sizes, achieving a maximum resolution of 4020x4892 pixels (14x17 at 87.5μm).



## Integral Processing

Integral Processing - the result of Konica Minolta's vast imaging experience - is a robust algorithm that produces the optimum diagnostic image automatically. This patented technique greatly simplifies x-ray image acquisition while delivering incredibly consistent image quality and virtually eliminating retakes.



# SMART CONSOLE

ImagePilot

## All-in-One!

The ImagePilot software combines CR image acquisition and PACS functionality. It is a complete workflow solution for clinics, imaging centers, and small hospitals. From one GUI, users can acquire, review, distribute, and archive patient images.



## Easy Control

ImagePilot supports a multi-touch display for the easiest operation. The more than 100 functions and features are literally at the tips of your fingers.



## REGIUS SIGMA2 Specifications

### Cassette size

14"×17" / 14"×14" / 11"×14" / 10"×12" / 8"×10" / 18×24cm / 24×30cm / 15×30cm

### Sampling Pitch

2Types: 87.5μm / 175μm

### Maximum Resolution

4,020×4,892 (14"×17", 87.5μm)

### Digital Gradation Level

4096 levels (12bit)

### Processing Capability

Up to 60 plates / hour (14"×17" / 175μm)

### Slots

Insertion / ejection slot × 1

### Outer Dimensions / Weight

W510×D610×H355mm / Approximately 28kg

### Power Supply Conditions

100VA max during operation: 20VA when not in use.

### Operating Conditions

Temperature : 10-30°C  
Humidity : 15-80%RH (No Condensation)

### Readable Cassette

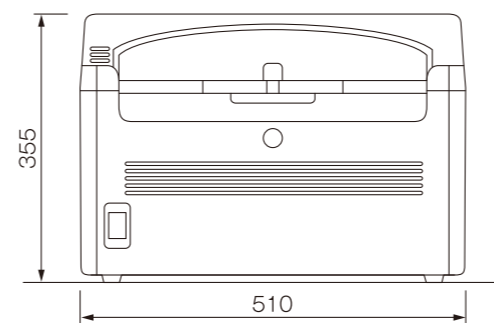
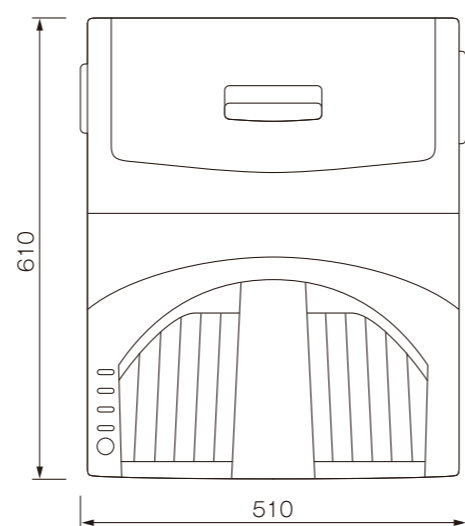
REGIUS CASSETTE RC-300  
14"×17", 14"×14", 11"×14", 10"×12", 8"×10",  
24×30cm, 18×24cm, 15×30cm

### Readable Plate

REGIUS PLATE FP-1S  
14"×17", 14"×14", 11"×14", 10"×12", 8"×10", 24×30cm, 18×24cm, 15×30cm



## REGIUS SIGMA2 Outer Dimensions



Unit: mm 1/10 scaled

Brand Name : REGIUS Σ II  
Type : DIRECT DIGITIZER  
Model : REGIUS SIGMA 2

★Specification are subject to change without prior notice.



- Lowest Weight CR (approx. 28kg)
- Power consumption is less than one tenth of prior models.
- Smallest carbon footprint - CO<sub>2</sub> emissions reduced by more than 64% (Calculated at lifecycle, compared to our conventional CR)



**KONICA MINOLTA, INC.**  
1 Sakura-machi, Hino-shi, Tokyo, 191-8511, Japan

Distributed by :



# REGIUS Σ II



Konica Minolta has been a CR technology leader since 1996 - consistently designing, developing, and delivering innovative solutions. The REGIUS ΣII represents the sum of this experience. REGIUS ΣII delivers a compact and affordable imaging solution that maintains the superior image quality and reliability expected from our REGIUS family of products. Combined with the redesigned ImagePilot software, the REGIUS ΣII provides simple operation and smooth workflow to a wide range of medical practitioners.

# REGIUS ΣII



From patient registration to long term archive, Konica Minolta provides complete workflow.



## I. Register

Manual or automated patient registration from anywhere in the office. Select the patient from the worklist or input patient information. No need to specify body part or exam type.

## II. Digitize

Just insert an exposed cassette into the REGIUS ΣII CR reader. The ImagePilot then automatically processes the image for optimized diagnostic viewing.

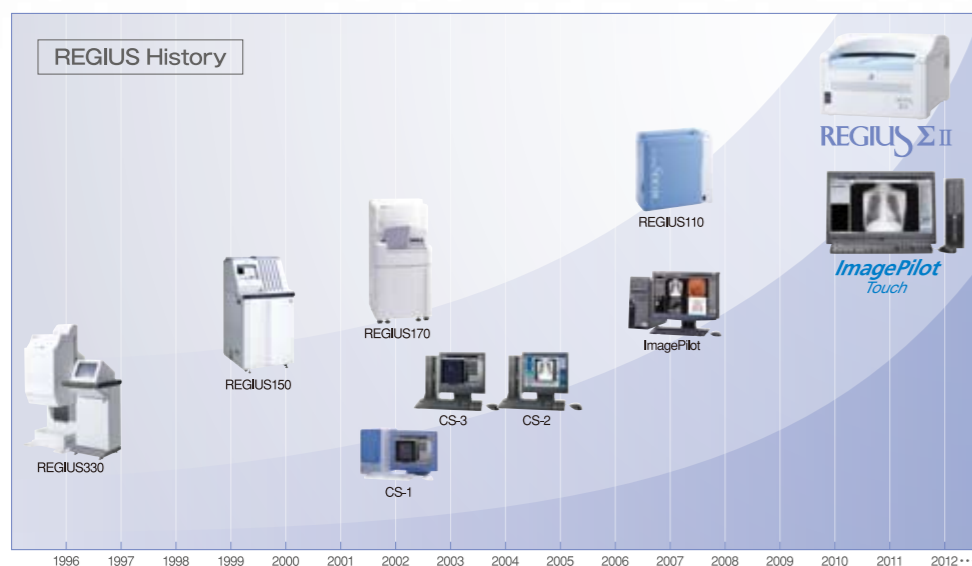
## III. View

Images can be viewed at up to 20 ImagePilot client workstations throughout the office. Each client supports all the same ImagePilot functions - the same GUI at every seat.

## IV. Archive

With storage capacities up to 2TB, ImagePilot can archive up to 300,000 images on our expandable servers. And this can be expanded even further with add-on storage.

\*For available configurations, please contact your salesperson.



### ■ Patient data management

The ImagePilot server can manage more than 200,000 patients. With any registered patient, users can acquire new images or review prior exams.

### ■ Seamless Link with EMR and RIS

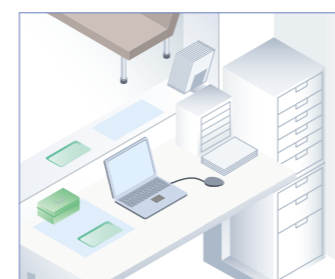
Automatically receive patient information from any EMR or RIS that supports DICOM or HL7.



### ■ Useful Registration

Use an existing PC\* (i.e. at the reception area) for patient registration.

\*Please confirm the specification for the client PC of ImagePilot



### ■ Quick Preview

The fully automated image processing produces consistent optimized images that display within 39 seconds.

### ■ Print composition

ImagePilot supports a print composer mode. Use this mode from any client station to print multiple images on one sheet of film or paper.

### ■ Easy recovery

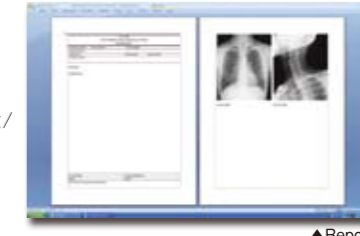
If the plate jam occurs, it can be removed easily by opening the top cover or the backside cover.



### ■ Multifunctional Viewing

ImagePilot supports over 100 features and functions.

- Annotation  
Line/Arrow/Rectangle/Text/ Shutter/Marker, etc
- Scaling  
Cardio Index / Distance / Angle / Rectangular CT / Pelvis Analysis, etc
- Image Tool  
Window Level / Zoom / Pan Magnifier / REGIUS Processing / Cropping, etc
- Report
- Other Modality Image



### ■ Web Viewing

At your home and trip destination, you can see the images of ImagePilot via VPN.



### ■ DICOM Image Communication

ImagePilot supports DICOM Store for sending patient images to a remote PACS or for receiving images from other PACS systems or modalities. ImagePilot also supports DICOM query/retrieve for greater utility.



### ■ NAS/DVD Backup

Patient images and other data can be securely backed up using either the NAS or DVD backup tools.

### ■ PDI Output

Patient images can be written to CD or DVD in PDI format (With DICOM software). The images can be viewed by any PC.

