

Digital!

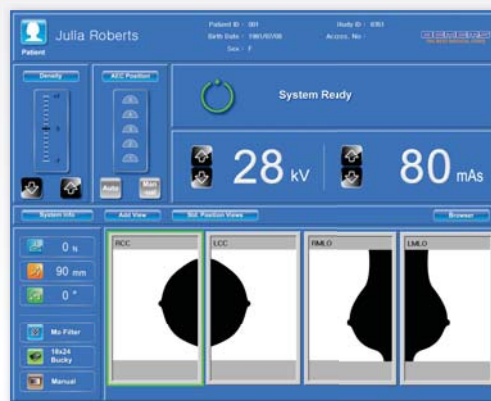
Mammography system

Pinkview-DR PLUS

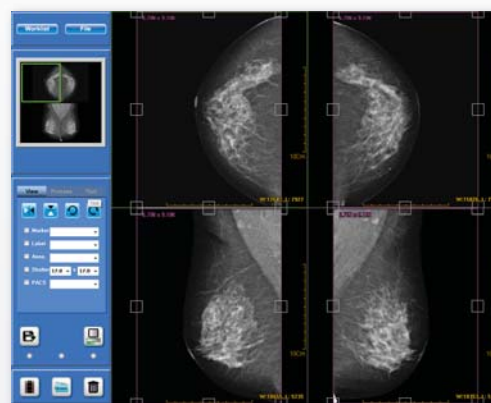
*Optimized digital mammography for breast cancer screening
Easy and convenient software operation system*



*High-tech digital image acquisition system
Truly gorgeous and luxurious design
Harmonizing with luxurious hospital interior with modern style
Completed compatibility for DICOM3.0
Compression control by international regulation
Comfortable MICOM compression with load cell
SID 660 mm for high sharpness image
Easy detachable magnification device*



Synchronizing operation and display all parameters at PC and Main OP



Convenient local saving and completed compatible system with PACS

• Specifications

X-ray Generator

High Frequency Inverter Type
Large Focal Point : 20~39 kV (1kV step) / 1~720 mAs
Small Focal Point : 20~39 kV (1kV step) / 1~350 mAs
Max. mA Current : 100 mA @ 28 kV

X-ray Tube

Target Material : W (Tungsten Rotating Anode)
Anode Heat Capacity : 300,000 HU
Focal spot : Small 0.1 mm / Large 0.3 mm
Additional Filtration : 0.05 mm Rh

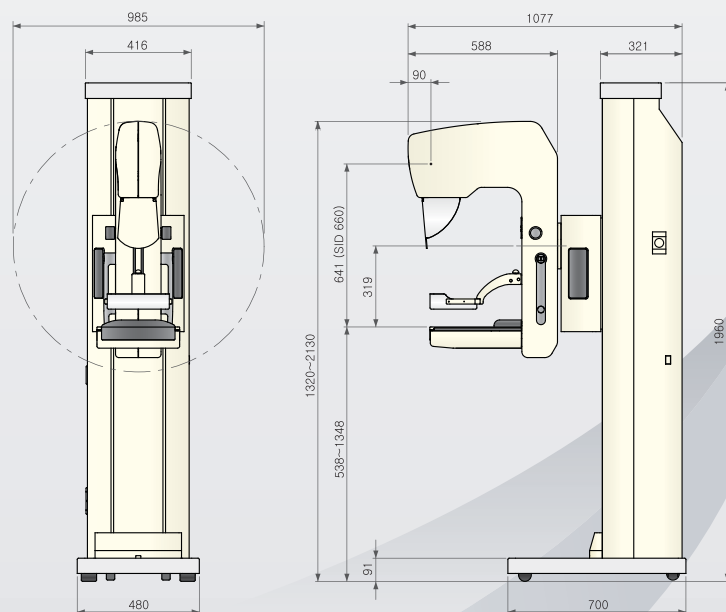
Image Receptor

Digital Detector : CMOS or TFT array
Moving Bucky Device : 18x24 or 24x30cm
Grid Ratio 4 : 1, 36 Lines / cm
Magnification Device : x1.8

Automatic Exposure Control

Mode : AEC, Auto mAs, Manual
Operation of AEC : Pre-exposure Analysis

• Dimensions



Unit = mm

BEMEMS Co., Ltd.

Rm710, Hoseodae Venture Tower, 319 Gasan-dong, Geumcheon-gu, Seoul, Korea
Tel:+82-2-2627-5662, Fax:+82-2-2627-5665, E-mail:sales@bemems.com