

The Best Healthcare Company,
DK⁺ Medical Systems



DK⁺ Medical Systems Co., Ltd.
www.dk.co.kr / sales@dk.co.kr

H.Q / **DK⁺** Bldg, 18, Baumoe-ro 7-gil, Seocho-gu, 06762, Republic of Korea
Tel +82.2.529.6190 Fax +82.2.577.6194

FACTORY / 52, Chupalsandan 1-gil, Paengseong-eup, Pyeongtaek-si,
Gyeonggi-do, 17998, Korea
Tel +82.31.658.7231 Fax +82.31.658.7239

BUSAN / Tel +82.51.918.9090 Fax +82.51.918.9094
GWANGJU / Tel +82.62.452.7231 Fax +82.62.452.7232



www.dk.co.kr

※ The appearances and specification are subjected to change for reasons of improvement without notice.

Radiography System

AccuRay Series

AccuRay Series

High Stability & High efficiency

The world highest specification and high grade inverter technology. DK has produced an X-ray high voltage Generator With a high frequency Inverter. This High Frequency Inverter produces low ripple tube voltage and high X-ray Quantum efficiency. The frequency is variable according to load conditions. A stable X-ray output is achieved even Increasing tube currents.

| AccuRay 525R / 603R



| AccuRay 630R



| AccuRay 630C/1000C

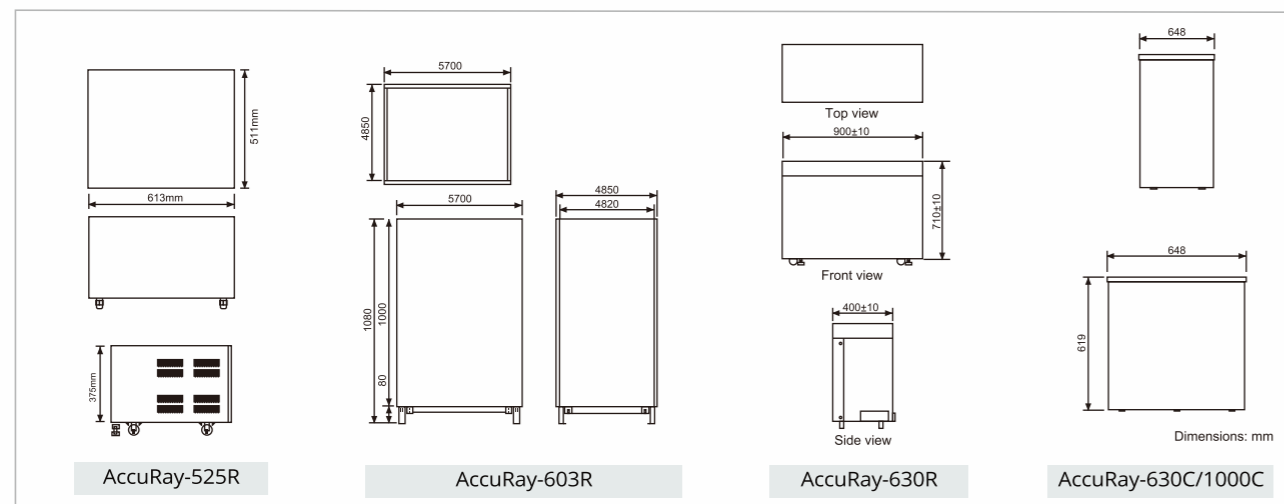


Specification

Customer needs to choose a specification

System	AccuRay 525R	AccuRay 603R	AccuRay 630R	AccuRay 630C	AccuRay 1000C
Radiography kV	40 – 125kV	40 – 125kV (option : 150kV)	40 – 150kV	40 – 150kV	40 – 150kV
Radiography mA	10 – 500mA	10 – 630mA	10 – 630mA	10 – 630mA	10 – 1000mA
Exposure Time	0.004~10 sec	0.004~10 sec	0.001 sec~ 10 sec	0.001 sec~ 10 sec	0.001 sec~ 10sec
Option	DAP, AEC	DAP, AEC	DAP, AEC, DI	DAP, AEC, DI	DAP, AEC, DI

Generator Size



Structure

| Elin-T3 Plus



| SF-90



| VB-90



| TE-90



| TF-90



| TH-22B



| TF-32N

